

ARC

Dining Arm Chair



Item Number: #3433-A
Cushion: #33-S Seat Cushion
#113-B Back Cushion
Material: Aluminum
Dimensions: W24" D28.25" H36.25"
Seat Cushion: W20" D19" H3.5"
Back Cushion: W20.25" D1" H17.5"
Arm Height: 24.5"
Seat Height: 19.25"
Weight: 30 lbs.

Warranty: Limited 20 Year Structural (frame)
(Retail) Limited 5 Year Finish
Limited 5 Year Cushion
Limited 2 year Component Parts

Features: -.75" x 3" Aluminum Extrusion Frame
-4" Wide Aluminum Slat Back
-UV Resistant
-Stock Sunbrella and COM available
-Plush Comfort Seat Insert
-DuPont® Delrin Glides (COM 0122)

COM Yardage: Seat Cushion - 1.5 yards
Back Cushion - 1.5 yards
**Based on 54" wide plain fabric w/ no repeat railroad, or centering. Contact sales@owlee.com for custom fabric quote.*



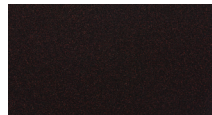
Finishes:



SP40 Copper Canyon



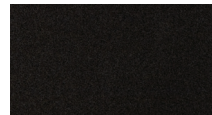
SP42 Espresso



SP11 Rosewood



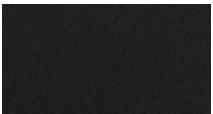
SP22 Sable



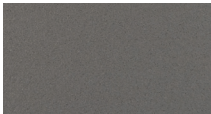
TG68 Carbon Black



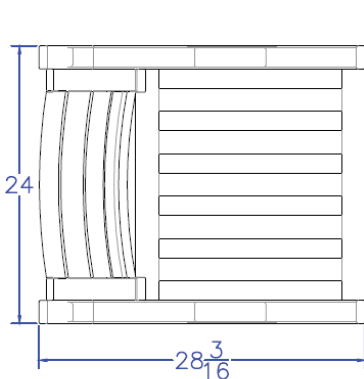
VT25 Velvet White



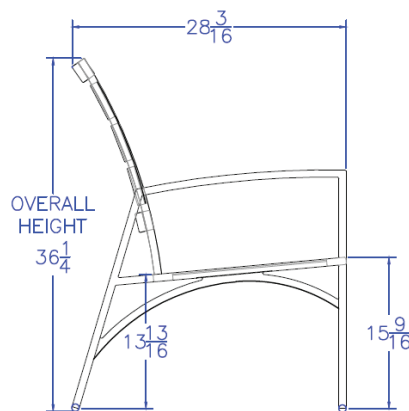
SP21 Graphite



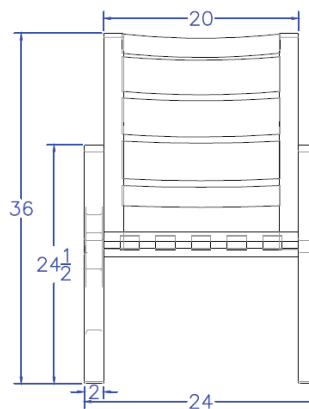
TG56 Shadow Grey



TOP VIEW



SIDE VIEW



FRONT VIEW



3D ISO VIEW